

Keep safe



- Please read this manual carefully and thoroughly before operation.
- This unit must be used correctly, according to the manufactures instructions.
- Please keep this manual in a safe place for future reference.

MINERAL ION WATER

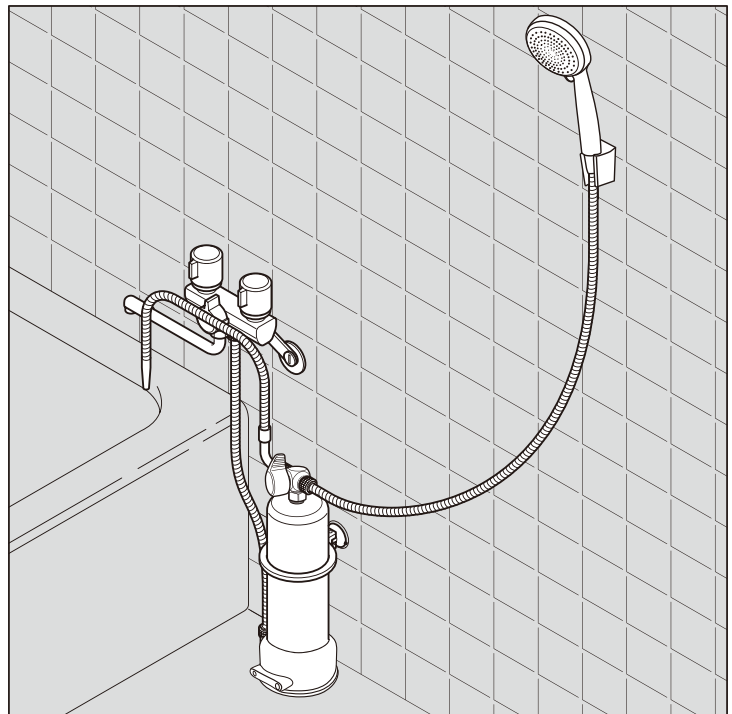
ANESPA DX

Mineral ion water Activator

ANSP-02

Directly connected to tap water type

OPERATION MANUAL



Thank you very much for purchasing our
“ANESPA DX”

Please read the instruction manual carefully and thoroughly before using this unit, and then use it correctly and according to specified instructions. We assume no responsibility for failure, accident or damage caused by installation or use not described in the instruction manual.

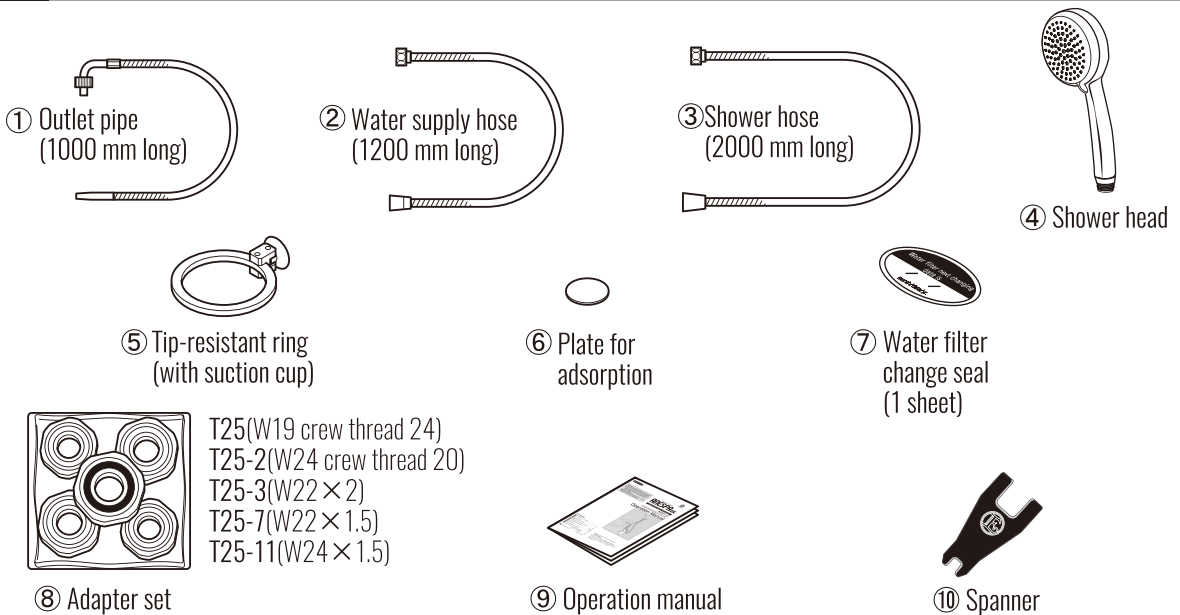
Contents

1	Preparation on safety	1
2	Accessories	1
3	Option (not included)	1
4	Structure and name of parts	2
5	Installation procedure	3-5
6	How to use	5
7	Standard specifications	5
8	Replacement the cartridge	6
9	After-sales Service	Back of the book

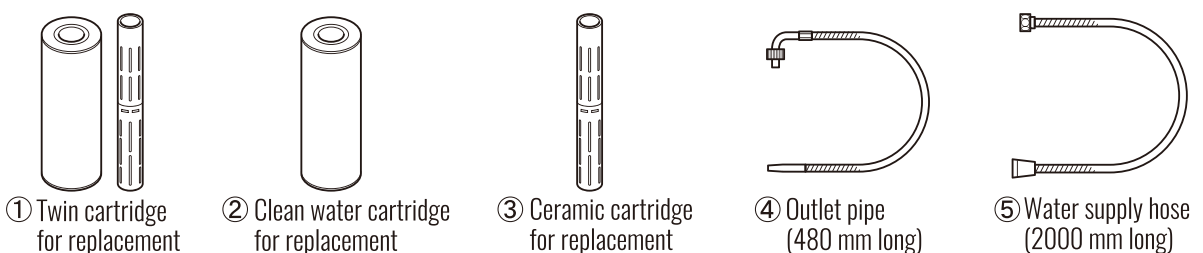
1 Preparation on safety

- Before using this product or new cartridge, please discharge the water for two or three minutes.
- As the water having passed through the unit remove the chlorine, use it early without long storage.
- Do not let the water not compatible with Water Supply Law to pass through the unit. This may constitute a limiting factor of the original function of this product. Please note that we accept no responsibilities for such case.
- At the occasion of initial watering, some muddiness and bubbles appear, however, there is absolutely no harm to the human body.
- Do not freeze the water in the unit. During the winter season, if there is a fear of freeze-up, please let small quantity of water through.
- Though this product is designed for warm water, do not pass hot water (60°C or more) through.
- After passing water through, the unit increases in weight significantly. If you turn over or drop this product, this may lead to accident. Always fix the tip-resistant ring to the wall surface securely and attach it to the unit.
- If that is the case of turning-over in the wash place, install the location where there is no harm.
- If the unit has been unused for 2-3 days, let water flow 1-2 minutes prior to use.
- For the prevention of accident such as burn injury, before passing water through the unit, always adjust the water temperature and then use this product.
- When water supply works is being performed in the vicinity of installation location or rusty water appears, never use this unit. This may constitute a limiting factor of the original function of this product. Please note that we accept no responsibilities for such case.
- Please do not use as a drink.
- Always replace the cartridge with the replacement time as a guide (see page 5).
- For the disposal of the main unit and cartridges, please follow the local regulations of your area.

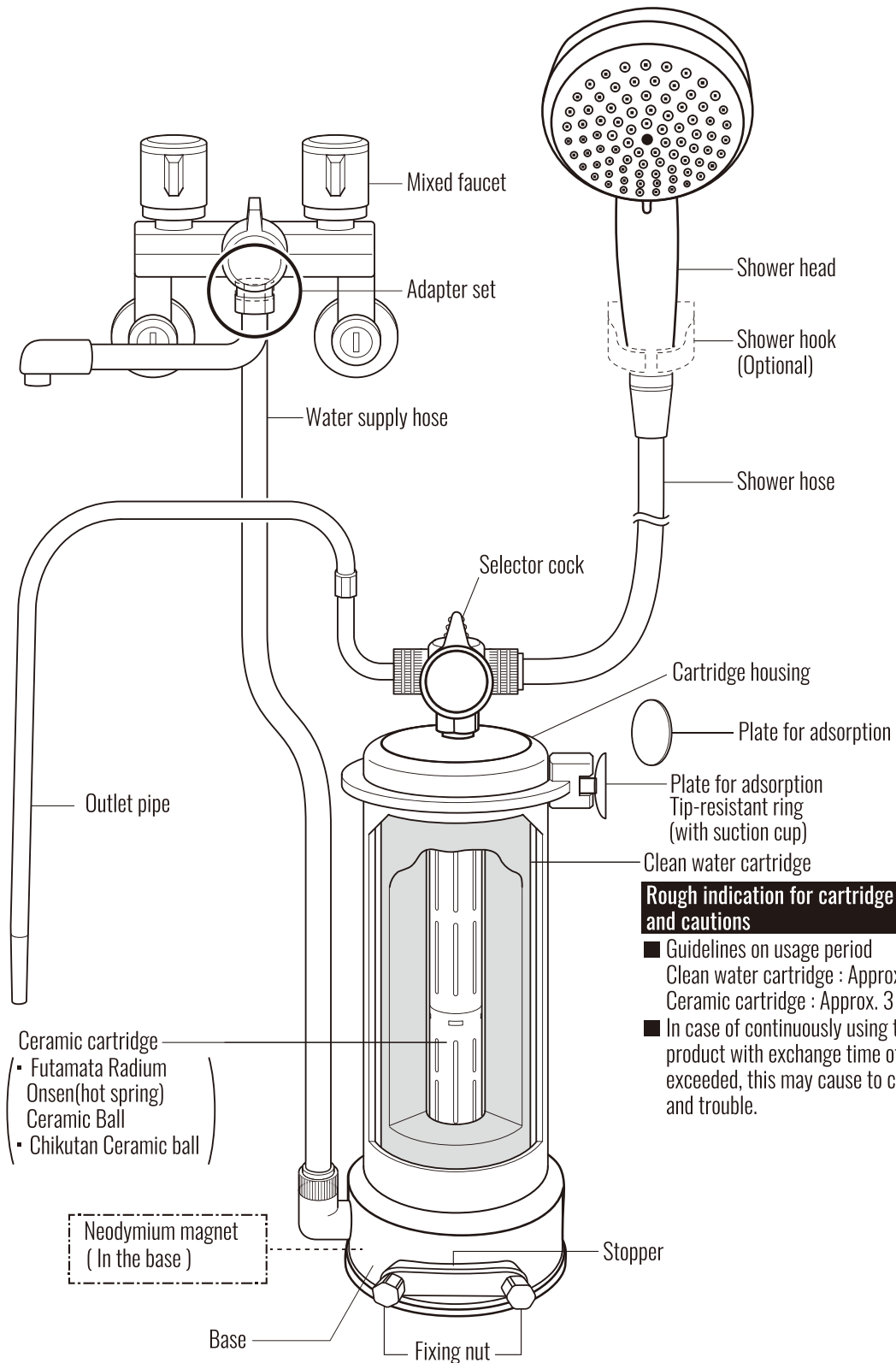
2 Accessories



3 Option (not included)



4 Structure and name of parts

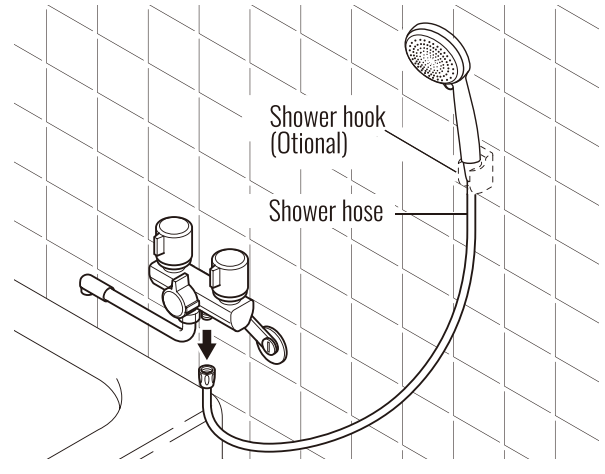


Rough indication for cartridge exchange and cautions

- Guidelines on usage period
Clean water cartridge : Approx. 1 year
Ceramic cartridge : Approx. 3 years
- In case of continuously using this product with exchange time of cartridge exceeded, this may cause to clogging and trouble.

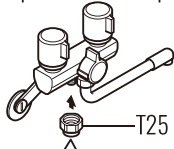
5 Installation procedure

1 Remove existing shower head.



2 Install the attached water supply hose to the water inlet port at the unit and original mounting port of shower. At connecting water supply hose to the original mounting port of shower, when bore diameter of thread does not match, please use the adapter of attached mixed faucet side.

Installation procedure of adapter attached mixed faucet side



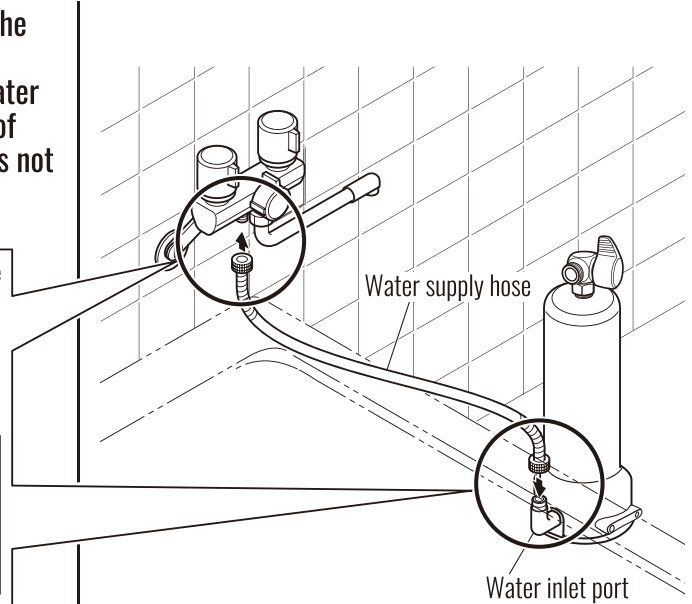
T25 (W19 crew thread 24)

T25-2
(W24 crew thread 20)

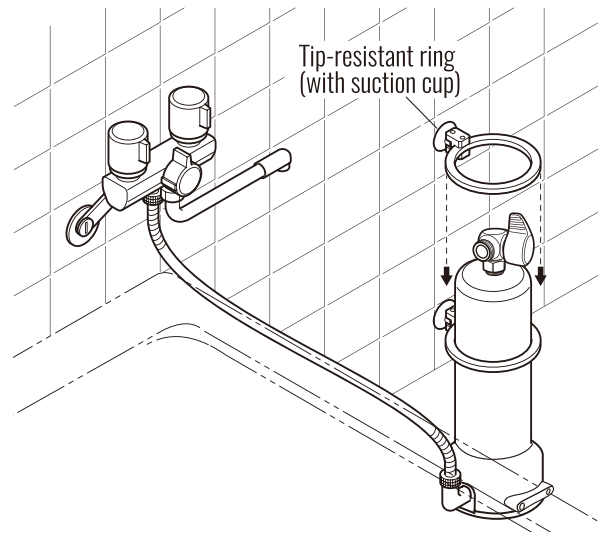
T25-3 (M22 × 2)

T25-7 (M22 × 1.5)

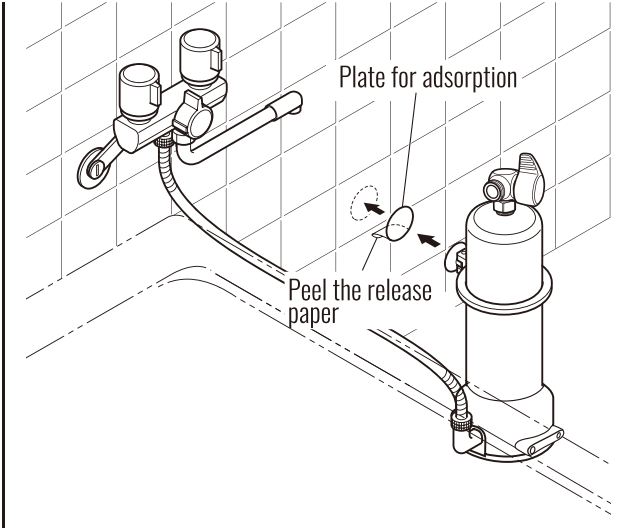
T25-11 (M24 × 1.5)



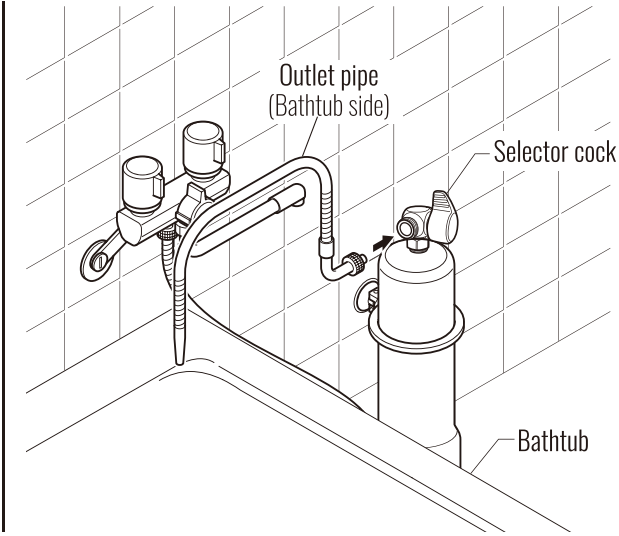
3 Fit attached tip-resistant ring (with suction cup) to the unit. (At mounting tip-resistant ring, take aim in advance at the position installing the unit.)



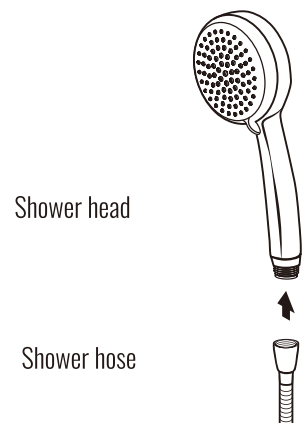
4 Peel the release paper on the plate for adsorption, put the suction cap on the wall surface and let absorb it securely.



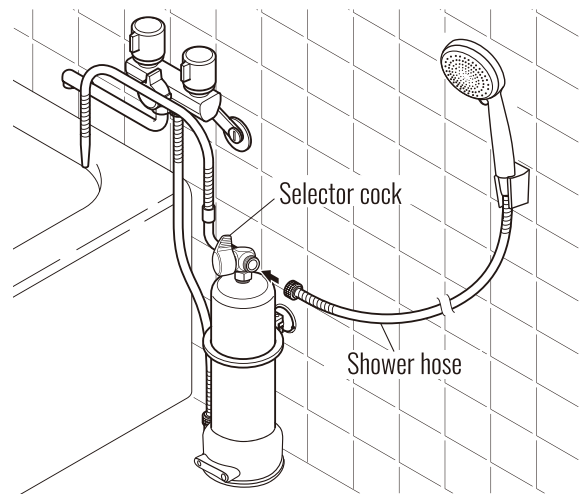
5 Install attached outlet pipe on the bathtub side of selector cock.



6 Connect attached shower head to the shower hose.



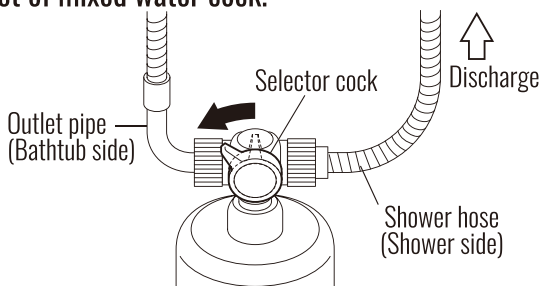
7 Install the shower hose to the shower side of selector cock.



6 How to use

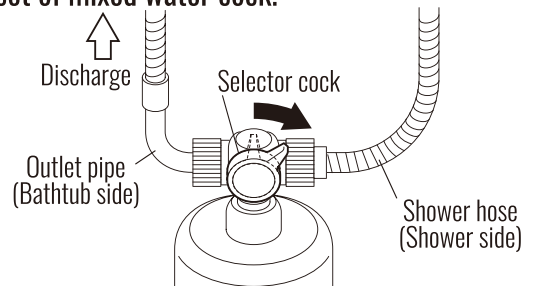
In case of using the shower

Turn over the selector cock to the left to open the faucet of mixed water cock.



In case of filling hot water (water) in bathtub

Turn over the selector cock to the right to open the faucet of mixed water cock.



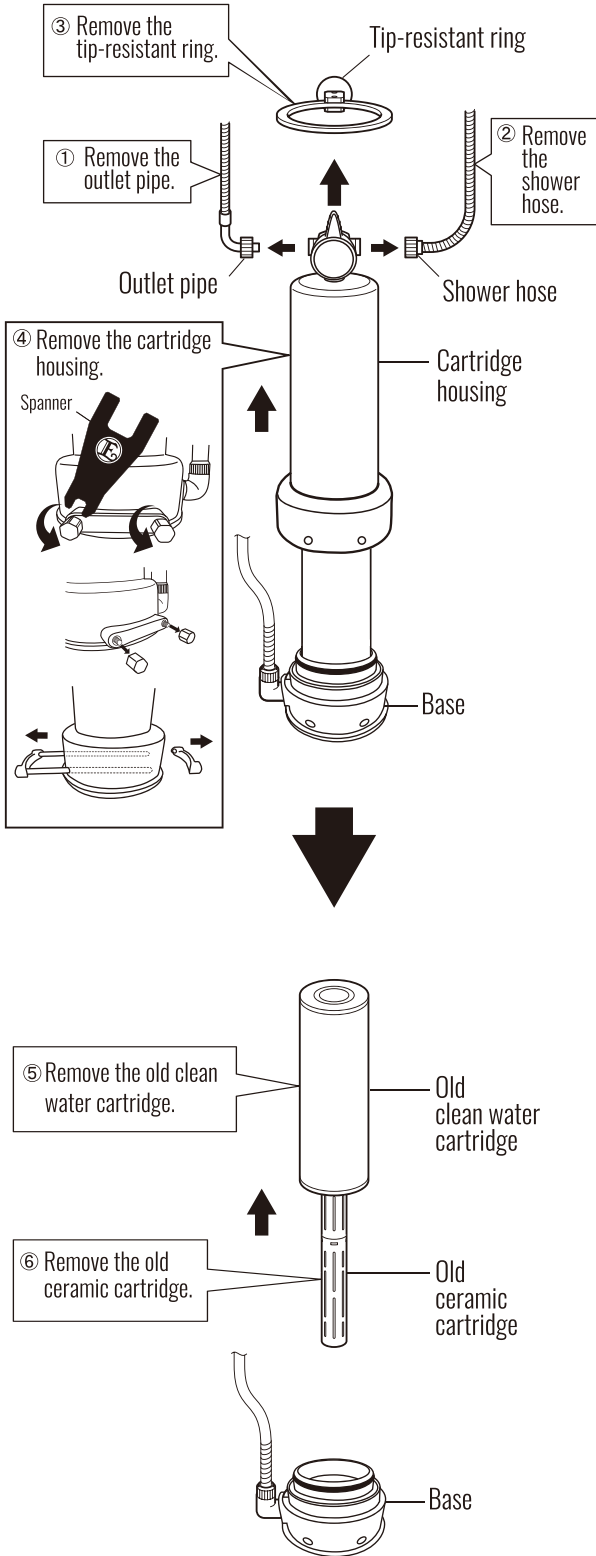
7 Standard specifications

Unit

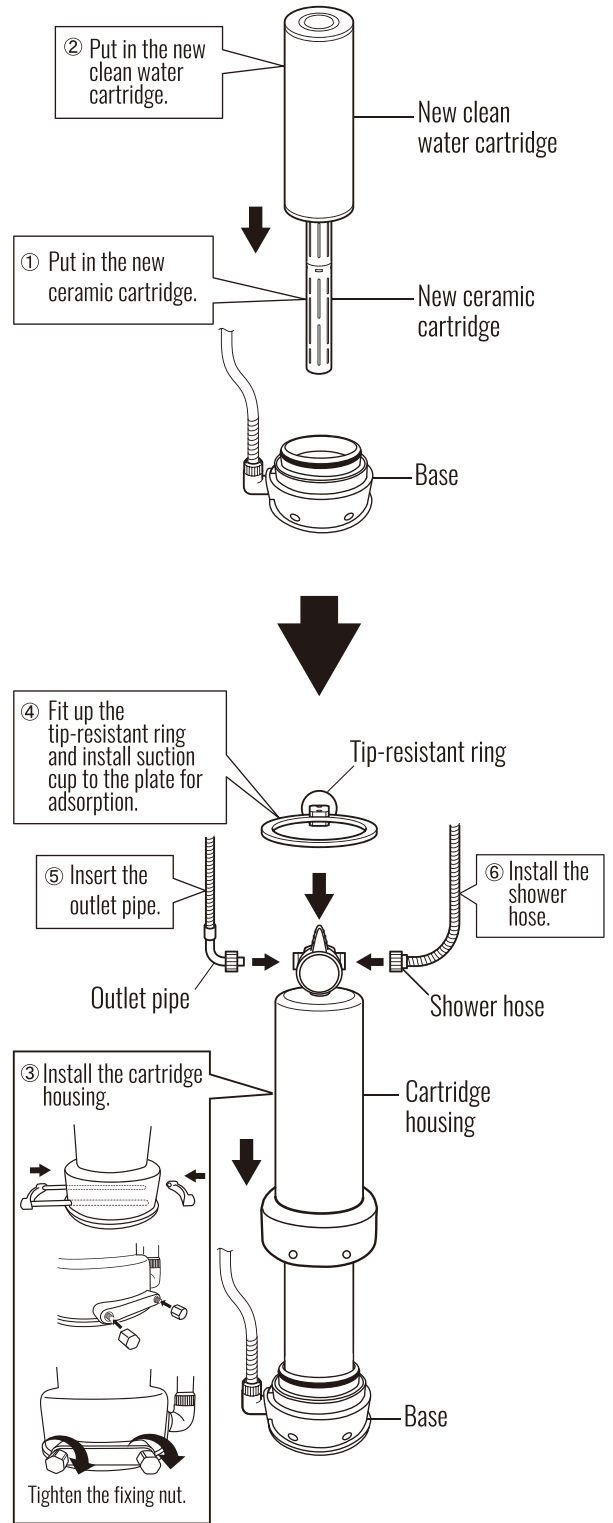
Product Name / Type	ANESPA DX / ANSP-02
Dimensions W x Diameter: (mm)	130 x 346 (except water supply connection)
Main unit weight	1.9 kg (included twin cartridge)
Filtration flowing quantity	10 L/min
Normal working pressure	0.05-0.5 MPa
Maximum working temperature	60 °C
Cartridge performance (JWPAS J.210 test results)	Ability to reduce free residual chlorine (Concentration of free residual chlorine : 1 mg/L, water temperature : 40 °C)
Cartridge material	Activated carbon, nonwoven fabric, tourmaline
Cartridge replacement period	Clean water cartridge About 1 year (Replacement timing varies depending on the water quality and quantity consumed) Ceramic cartridge About 3 years (Replacement timing varies depending on the water quality and quantity consumed)
Accessories of this unit	Outlet pipe (1000 mm), Water supply hose (1200 mm), Shower hose (2000 mm), Shower head, Tip-resistant ring (with suction cup), Plate for adsorption, Water filter change seal, Adapter set, Operation manual, Spanner

8 Replacement the cartridge

How to remove



How to install



9 After-sales Service

Warranty

- Please make sure that the date of purchase and your dealer's name are entered on the accompanying Warranty card. Keep it in a safe place.

If you need repair during warranty period

- For repairs, please contact your local dealer.
(Please read the guarantee conditions carefully, as some repairs may not be covered under the warranty, depending on the situation.)

CAUTION You may be charged if your repair are for the following reasons.

1. Trouble resulting from handling in a manner that is not specified in the "Operation Manual".
2. Trouble or damage due to use of water other than municipal drinking water.
3. Trouble or damage due to natural disaster, such as, earthquake, fires or floods.
4. Dropping the product or caused in any traffic accident during transportation.
5. Replacement of consumable parts.
6. Failure to fill in the "Date of purchase" and "User's Name" and "Dealer's Name" in the warranty form.

If you need repair after warranty expiration

- Contact your local dealer. Repair may be available upon request at purchaser's expense.

Others

- If you lose the warranty card, you cannot receive warranty service.
Note that the warranty card will not be re-issued.

WARNING



Prohibited

Do not attempt to open or disassemble any part of the unit. Any consequence of such behavior shall not be compensated by the maker.

- For questions and information, please contact your local dealer.

Los Angeles:
TEL. +1-310-542-7700 FAX. +1-310-542-1700
New York:
TEL. +1-718-784-2110 FAX. +1-310-531-7111
Chicago:
TEL. +1-847-437-8201 FAX. +1-847-437-8201
Honolulu:
TEL. +1-808-949-5300 FAX. +1-808-949-5336
Texas:
TEL. +1-972-316-7985 FAX. +1-310-531-7111
Seattle:
TEL. +1-425-640-2222 FAX. +1-425-672-8946
Orlando:
TEL. +1-407-601-5963 FAX. +1-407-630-6081
Burnaby:
TEL. +1-604-214-0065 FAX. +1-604-214-0067
Toronto:
TEL. +1-905-507-1200 FAX. +1-416-445-6594
Mexico:
TEL. +52-81-8242-5500 FAX. +52-81-8242-5549

Brazil:
TEL. +55-15-3034-4132 FAX. +55-15-3034-4100
Germany:
TEL. +49-211-936570-00 FAX. +49-211-936570-27
France:
TEL. +33 (0) 1 47 07 55 65 FAX. +33 (0) 1 47 07 55 95
Italy:
TEL. +39-6-3320-670 FAX. +39-6-3321-9505
Australia:
TEL. +61-2-9878-1100 FAX. +61-2-9878-1200
Russia:
TEL. +7-495-988-02-05 FAX. +7-495-988-02-06
Romania:
TEL. +40-374028779
Portugal:
TEL. +351-22-8305464
Hong Kong:
TEL. +852-2154-0077 FAX. +852-2154-0027
Taiwan:
TEL. +886-2-2713-2936 FAX. +886-2-2713-2938

Philippines:
TEL. +63-2-8519-5508 FAX. +63-2-519-1923
Korea(Seoul):
TEL. +82-2-546-8120 FAX. +82-2-546-8127
Korea(Busan):
TEL. +82-51-744-8822 FAX. +82-51-744-8833
Singapore:
TEL. +65-6720-7501 FAX. +65-6720-7505
Malaysia:
TEL. +60-3-2282-2332 FAX. +60-3-2282-2335
Indonesia:
TEL. +62-21-2506-777 FAX. +62-21-2506-748
Thailand:
TEL. +66-2-163-2869 FAX. +66-2-163-2879
India:
TEL. +91-80-4650-9900 FAX. +91-80-4650-9908
Mongolia:
TEL. +976-7012-7778 FAX. +976-7012-7708
Dubai:
TEL. +971 4 395 5011 FAX. +971 4 395 5150

Tokyo:
TEL. +81-3-5205-6030 FAX. +81-3-5205-6035
Sapporo:
TEL. +81-11-223-5678 FAX. +81-11-223-5680
Nago:
TEL. +81-980-51-0616 FAX. +81-980-51-0628
Shin-Osaka:
TEL. +81-6-6152-5407 FAX. +81-6-6152-5408
Fukuoka:
TEL. +81-92-741-4132 FAX. +81-92-741-4133
Osaka Factory:
TEL. +81-72-893-2290 FAX. +81-72-893-8007